

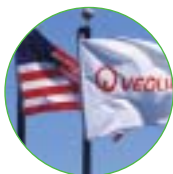


Property Management

Veolia Environmental Services understands the issues property managers face.

Your Needs:

Our Solutions:



Timely service

A schedule that fits your business.

Budget/cost containment

Controlling your bottom line.

Customer service

Prompt friendly response.

Bulk item pick-ups

Keeping the curb free of unsightly, unwanted items.

Service guarantee

Veolia Environmental Services hits your optimum "window of convenience." Guaranteed.

Pre-set pricing plans

No hassles. No surprises.

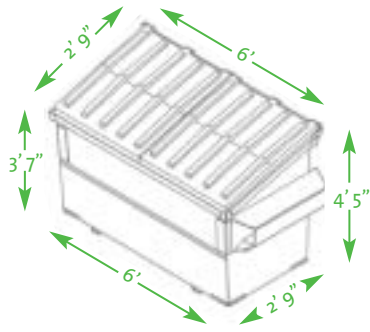
One call, one person

Speak to a qualified customer service representative the first time you call.

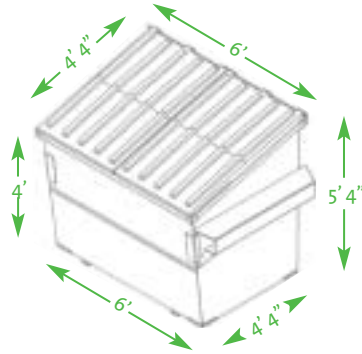
Customized service plans

Veolia Environmental Services tailors our services to meet your specific needs.

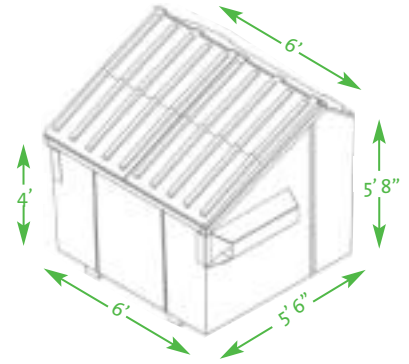




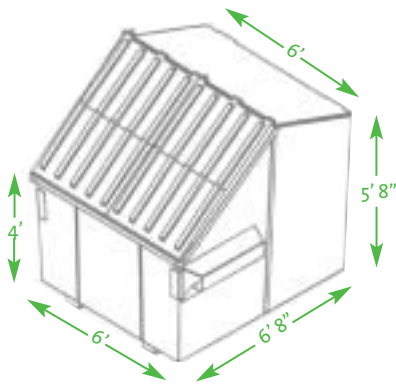
2-Yard Front Loader
Slant-front Container



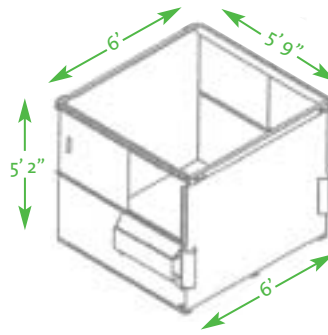
4-Yard Front Loader
Slant-front Container



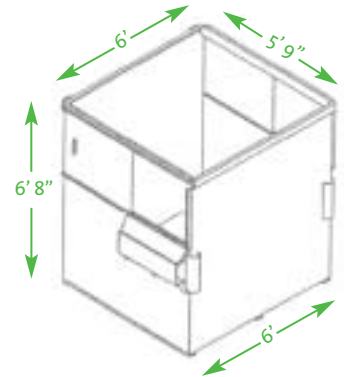
6-Yard Front Loader
Slant-front Container



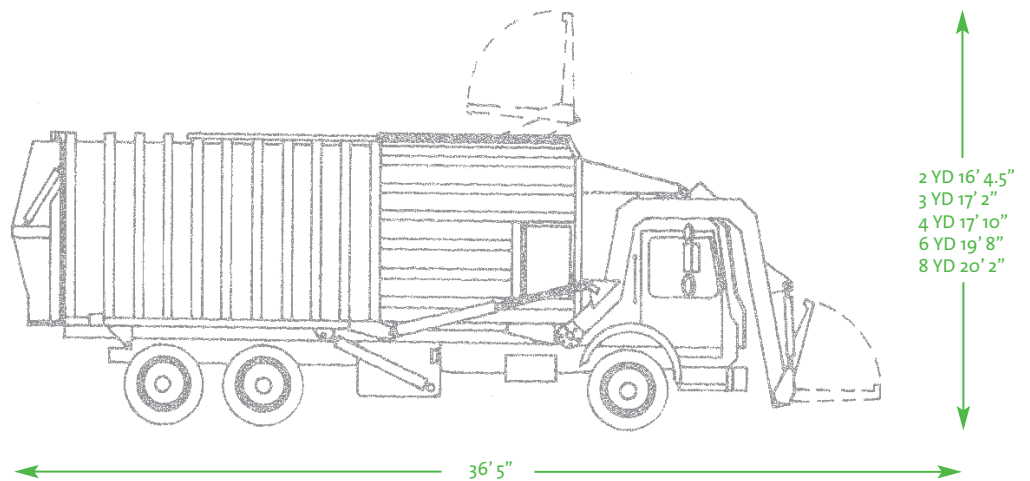
8-Yard Front Loader
Slant-front Container



6-Yard Front Loader
Flat-top Container



8-Yard Front Loader
Flat-top Container



2 YD 16' 4.5"
3 YD 17' 2"
4 YD 17' 10"
6 YD 19' 8"
8 YD 20' 2"



Veolia ES Solid Waste
125 South 84th Street, Suite 200
Milwaukee, WI 53214
Tel: 1-800-372-1020
Fax: 414-479-7400
www.VeoliaES.com

*Ask your representative
about container enclosure
specifications.*